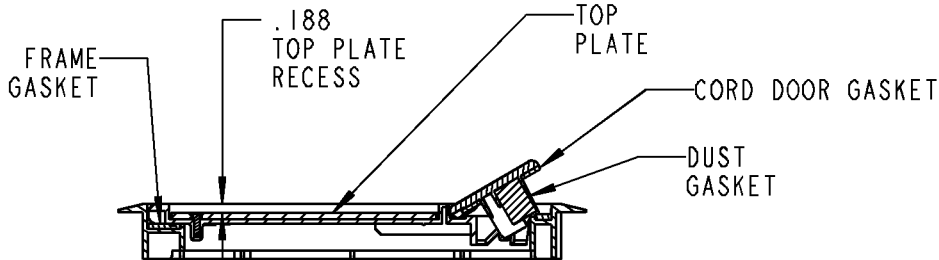
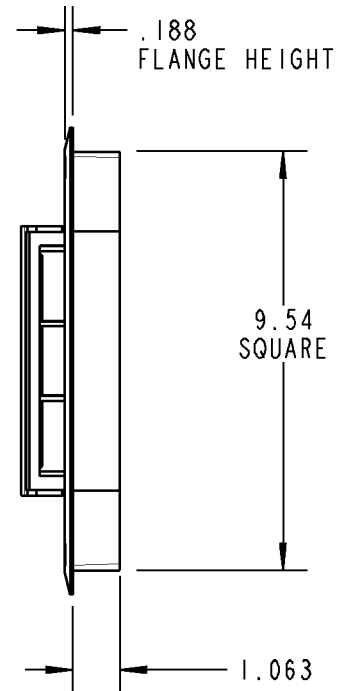
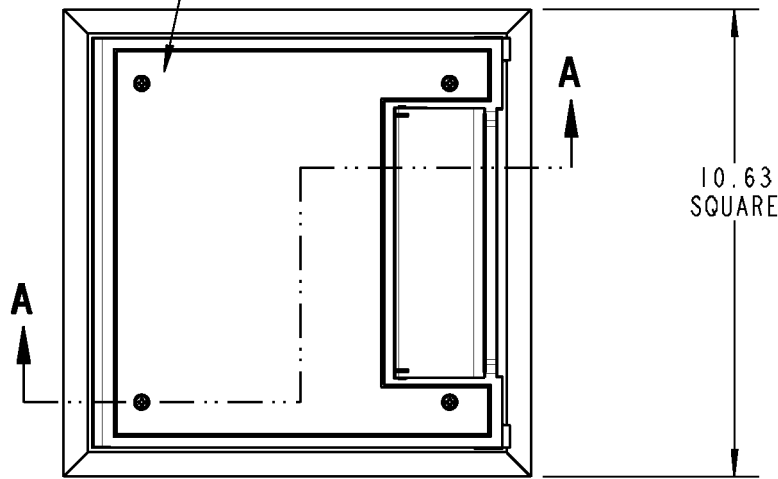
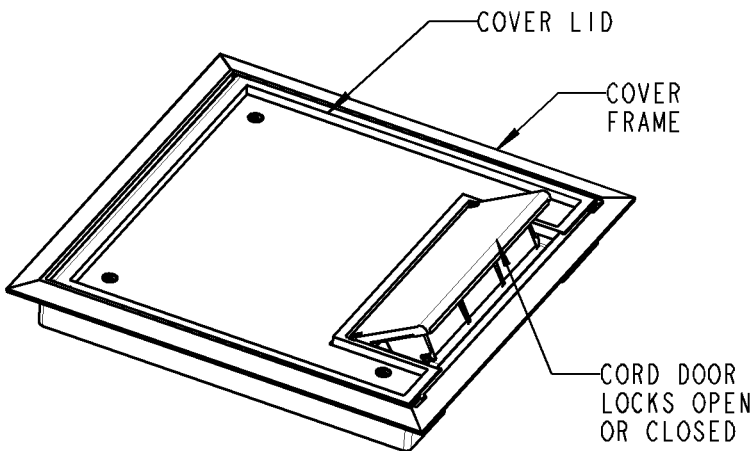


5/32 STEEL TOP PLATE ON LID.  
CARPET OR TILE CAN BE GLUED  
TO TOP PLATE.



**SECTION A-A**



- 1) FLOOR BOX COVER  
DESIGNED FOR USE  
WITH 667 SERIES  
CONCEALED SERVICE  
FLOOR BOXES. MADE FROM  
HIGH STRENGTH  
POLYCARBONATE WITH  
5/32 STEEL TOP PLATE.
- 2) MOPTIGHT. FACTORY INSTALLED  
GASKETS. EXCEEDS UL SCRUB-WATER  
REQUIREMENTS FOR TILE, CARPET  
AND WOOD FLOORS.
- 3) AVAILABLE IN FOUR COLORS.  
-XXX DENOTES COLOR  
-BLK = BLACK  
-GRY = GRAY  
-BGE = BEIGE  
-BRN = BROWN

<b>GENERAL NOTES</b>		<b>Thomas &amp; Betts</b>			
1. DIMENSIONS IN PARENTHESES ( ) ARE IN METRIC UNITS.					
<b>REVISIONS</b>		<b>DESCRIPTION: 667-CST-SW-XXX CONCEALED SERVICE TOP</b>			
SEE ERN ( .... ) FOR APPROVAL SIGNATURES	ORIGINAL PROJECT NO / ( ERN NO )	SHEET NO:	REV. NO:	DRAWING NO:	
PROJECT NO: ....	UD55453 / ( 2002995 )	1 OF 1	0	WSD-000060	